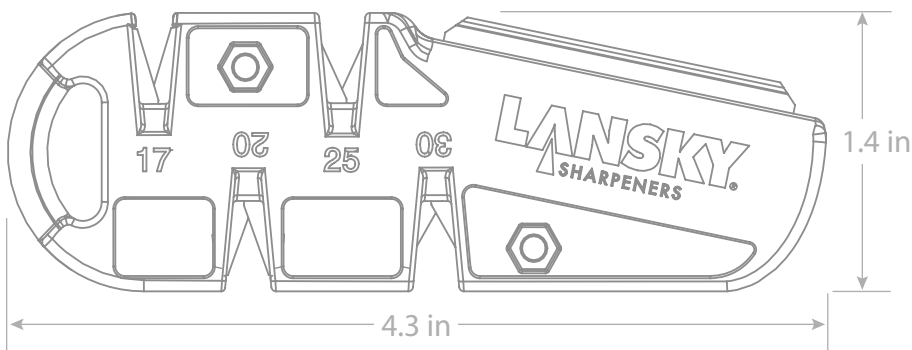




QUADSHARP®

QSHARP

Maintain your knives in the field to the exact same angle every time. Featuring the same four-angles as the legendary **Lansky Controlled-Angle System**, for the perfect portable sharpening accessory.



FEATURES

- Four sharpening angles (17°, 20°, 25° and 30°)
- Carbide slots sharpen in three to four strokes
- Ceramic benchstone (800 grit) for fine polishing
- Rugged metal construction
- 100% Compatible with all **Lansky Kits** and accessories



Carbides: 17°, 20°, 25° and 30°
Sharpens in three to four strokes



Ceramic Benchstone
Sharpens and polishes and will never wear out



Sharpening Serrations
Tapered for serrations

PORTABLE SHARPENERS



ARKANSAS POCKET STONE

LSAPS

FEATURES

- 1" x 3" 200-350 Grit, Washita stone
- V-grooves for sharpening fishhooks
- Genuine leather carrying pouch



DIAMOND POCKET STONE

LDPST

FEATURES

- 1" x 3" 600 Grit, double-sided monocrystalline diamond
- V-groove for sharpening fishhooks
- Genuine leather carrying pouch



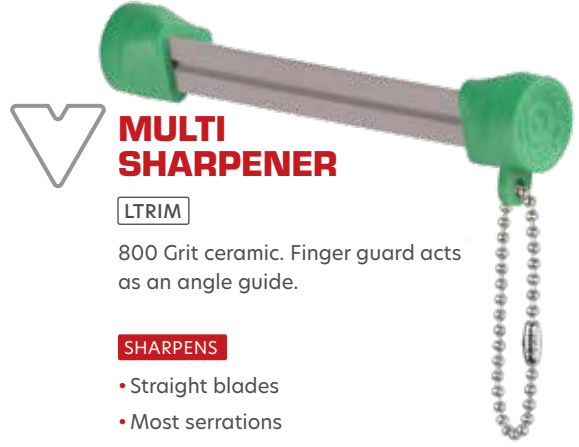
SPYDER SHARPENER

LTRSP

800 Grit ceramic. Finger guard acts as an angle guide.

SHARPENS

- Straight blades
- Spyderco® serrations
- Most other serrations
- Fishhooks (using V-groove)



MULTI SHARPENER

LTRIM

800 Grit ceramic. Finger guard acts as an angle guide.

SHARPENS

- Straight blades
- Most serrations
- Fishhooks (using V-groove)



CS SHARPENER

LTRCS

800 Grit ceramic. Finger guard acts as an angle guide.

SHARPENS

- Straight blades
- CS serrations



MINI DOG BONE SHARPENER

LCDOG

800 Grit ceramic. Finger guard acts as an angle guide.

SHARPENS

- Straight blades

**TUNGSTEN CARBIDE/CERAMIC
QUICK FIX®**

CHOOSE FROM BELOW

The tungsten carbide sharpening side puts a new edge on your knife. Finish the edge with just a few strokes on the white ceramic polishing rods.

FEATURES

- Carbide sharpens in three to four strokes
- Ceramic polishes (1000 grit)
- Lightweight

**QUICK FIX®
DISPLAY
BOWL**

BLCSTC24

24 Piece high-visibility display



RED

LCSTC



PINK

PPIX



CAMO

LCSTC-CG

**GOES WITH YOU
ANYWHERE**

**THE "MINI"
KNIFE SHARPENER**

LCKEY

A compact, lightweight and versatile knife and fish hook sharpener. It features two removable 1000 grit ceramic sharpening rods that easily reposition for fish hook sharpening, or easy cleaning. Includes key chain.



**MINI KNIFE SHARPENER
MINI DISPLAY
BOWL**

BKEY30

30 Piece high-visibility display



PORTABLE SHARPENERS

C-SHARP®

CERAMIC PULL-THROUGH QUAD ANGLE SHARPENER

C-SHARP

The **C-Sharp**® features four sharpening angles (17°, 20°, 25° and 30°) in 600 grit ceramic. It also has a fine ceramic benchstone that can be used for polishing straight or serrated blades. Perfect as a Lansky System accessory, or as a stand-alone sharpening solution, the **C-Sharp**® offers the same great features as the **Lansky QuadSharp**®, in an all-ceramic option.

FEATURES

- Four sharpening angles (17°, 20°, 25° and 30°)
- Ceramic Benchstone for fine polishing and serrations
- 600 Grit medium ceramic pull-through slots
- 800 Grit ceramic serrated mini benchstone
- Durable metal casing
- 100% Compatible with all **Lansky Controlled-Angle Systems and Turn Boxes**

D-SHARP®

DIAMOND PULL-THROUGH QUAD-ANGLE SHARPENER

D-SHARP

The latest addition to our **Sharp** line, the **D-Sharp**® features four sharpening angles (17°, 20°, 25° and 30°) in 600 grit diamond. It also has a fine ceramic benchstone that can be used for polishing straight or serrated blades. Perfect as a Lansky System accessory, or as a stand-alone sharpening solution.

FEATURES

- Four sharpening angles (17°, 20°, 25° and 30°)
- Ceramic Benchstone for fine polishing and serrations
- 600 Grit medium diamond pull-through slots
- 800 Grit ceramic serrated mini benchstone
- Durable metal casing
- 100% Compatible with all **Lansky Controlled-Angle Systems and Turn Boxes**



RETRACTABLE DIAMOND PEN™

DROD1

The **Diamond Pen**™ is perfect for sharpening small pocket knives, serrated blades, and fish hooks. The retractable 600 grit sharpening rod stores easily within the plastic casing. The three-sided Diamond Pen gives users the ability to sharpen serrations of various sizes.

FEATURES

- Retractable 600 grit diamond sharpening rod
- Lightweight plastic casing with clip
- Length: 5"





Tungsten Carbide
Sharpens in 3 to 4 strokes



Bottle Opener
Open anywhere



Pry Tool
Leverage when you need it

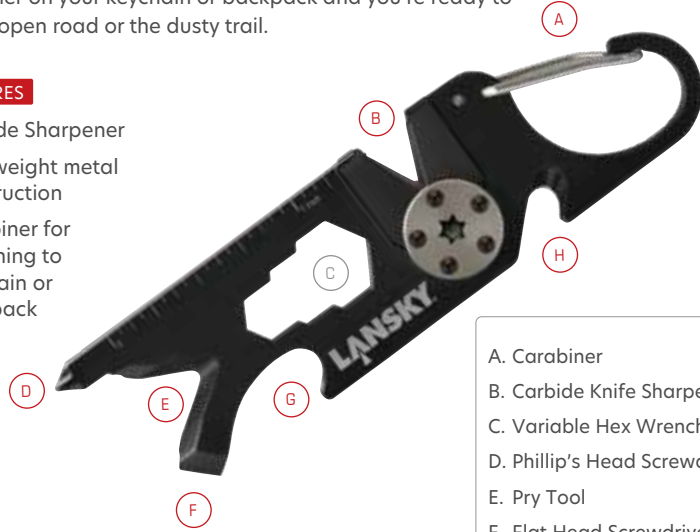
ROADIE® 8-IN-1 KEYCHAIN SHARPENER

ROAD1

The **Roadie™** contains the most useful features per square inch of any other sharpener of its size. The ultimate in portability and versatility: just clip the carabiner on your keychain or backpack and you're ready to hit the open road or the dusty trail.

FEATURES

- Carbide Sharpener
- Lightweight metal construction
- Carabiner for attaching to keychain or backpack



- A. Carabiner
- B. Carbide Knife Sharpener
- C. Variable Hex Wrench
- D. Phillip's Head Screwdriver
- E. Pry Tool
- F. Flat Head Screwdriver (Box Opener)
- G. Bottle Opener
- H. Line Cutter

TUNGSTEN CARBIDE SHARPENERS

DELUXE QUICK EDGE

CHOOSE FROM LEFT

FEATURES

- Carbide sharpens in three to four strokes
- Replaceable carbides
- Slip resistant grip
- Thumb rest



QUICK EDGE

LSTCS

- Carbide sharpens in three to four strokes
- Replaceable carbides
- Thumb rest



PINK

PDQE

CAMO

LSTCN-CG

RED

LSTCN

BROADHEAD ARROW AND KNIFE SHARPENER

LTCBH

- Sharpens knives
- Sharpens broadheads
- Universal broadhead wrench
- Compact and lightweight



MULTI-PURPOSE SHARPENERS

“ I use the Lansky Puck® to keep my axe razor sharp. I am a big believer that the finer the cutting edge, and the less effort it takes to use, the safer the tool becomes. I demand hard use from my tools, and the Lansky Puck keeps my axe ready and keen at all times. ”

DAVE CANTERBURY
PATHFINDER SCHOOL

MAKE OLD TOOLS LIKE NEW AGAIN



SILICONE CARBIDE THE PUCK® DUAL-GRIT SHARPENER

LPUCK

The Puck's® easy to grip contoured shape, provides for safe and simple tool sharpening. The coarse (120 grit) side is for quick cutting and shaping, and the medium (280 grit) side is for final sharpening and finishing.

SHARPENS

- Lawn mower blades
- Machetes
- Hatchets
- Shovels
- Axes





**ALUMINA-OXIDE
HEAVY DUTY
SHARPENING
TOOL**

LHONE

Extra coarse (70 grit) is designed for heavy-duty sharpening of damaged and abused power and hand tools around the shop, farm, and home.

SHARPENS

- Lawn mower blades
- Machetes
- Hatchets
- Shovels
- Axes



**ALUMINA-OXIDE
LAWN AND
GARDEN
SHARPENING
TOOL**

LGRDN

This Medium (280 grit) alumina-oxide tool's unique oblong shape allows for safe and easy sharpening of garden and hand tools, especially those with long blades.

SHARPENS

- Lawn mower blades
- Machetes
- Hatchets
- Shovels
- Axes



BENCHSTONE SHARPENERS

DIAMOND ALUMINA-OXIDE CERAMIC TRI-STONE BENCHSTONE

BS-TR100

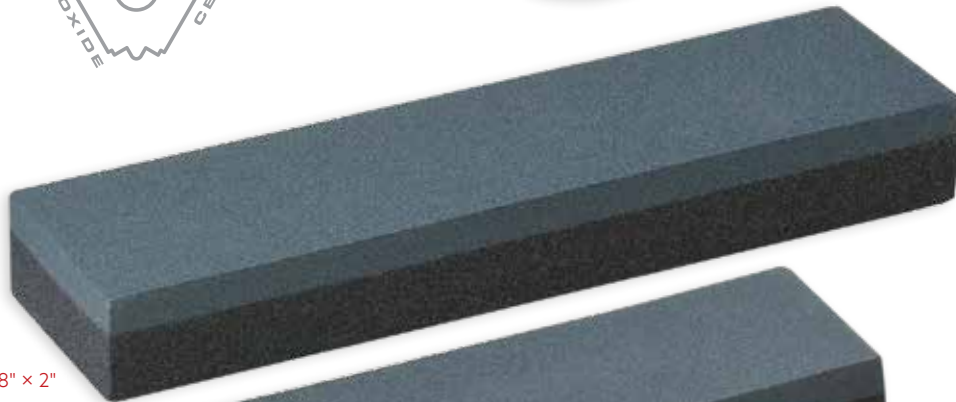
Built to be a stand alone sharpening center. Three sharpening surfaces: monocrystalline Diamond, Alumina-Oxide, and Ceramic. The sturdy plastic base boasts a wide low-profile footprint and non-slip rubber feet for greater stability, plus screw receivers for optional bench mounting.

FEATURES

Diamond (280 Grit)
Quickly set an edge

Alumina-Oxide (280 Grit)
Refine an edge

Ceramic (1000 Grit)
Finish and polish your edge



8" x 2"

6" x 2"

ALUMINA-OXIDE COMBO STONES

An economical dual-grit design: Coarse (120 grit) and Fine (600 grit). Sharpening and finishing in one unit.

8" x 2"

LCB8FC

6" x 2"

LCB6FC

NATHAN'S NATURAL HONING OIL 4 OZ.

LOL01

Formulated for Lansky non-diamond stones and Arkansas stones. Just a few drops will protect the stone and preserve your blade.





Soft 6" x 2"



Hard 6" x 2"



Soft 8" x 2"

NATURAL ARKANSAS BENCHSTONES

GENUINE ARKANSAS STONES

SOFT 6" x 2"

LBS6S

SOFT 8" x 2"

LBS8S

The 200-350 grit natural Washita Soft Arkansas stones are the most versatile for general purpose sharpening.

HARD 6" x 2"

LBS6H

The 450-650 grit natural Hard Arkansas is the ultimate stone for achieving an exceptionally fine polished edge.

SHARPENS

- Pocket, hunting and fishing knives
- Utility knife blades
- Woodworking tools
- Gardening tools
- Chisels

TRADITION GETS AN UPGRADE



6" x 2" / 15 x 5 cm



6" x 2" / 15 x 5 cm

DIAMOND BENCHSTONES

Monocrystalline diamond Benchstones feature a self-storing case/lid that protects the diamond surface, and a non-slip rubber base with screw receivers for optional bench mounting.

MEDIUM 6" x 2"

LDB6M

280 Grit

FINE 6" x 2"

LDB6F

600 Grit

ULTRA FINE 6" x 2"

LDB6E

1000 Grit

DOUBLE-SIDED DIAMOND BENCHSTONES

Monocrystalline dual-grit diamond design for maximum value and versatility. Fast sharpening and finishing. Non-slip rubber base with screw receivers for optional bench mounting.

COARSE/FINE 6" x 2"

DB-1260

120/600 Grit

MEDIUM/FINE 6" x 2"

DB-2860

280/600 Grit