

Monteringsanvisning / Assembly Instructions / Aufbauanleitung

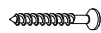
ADJUSTABLE VISE



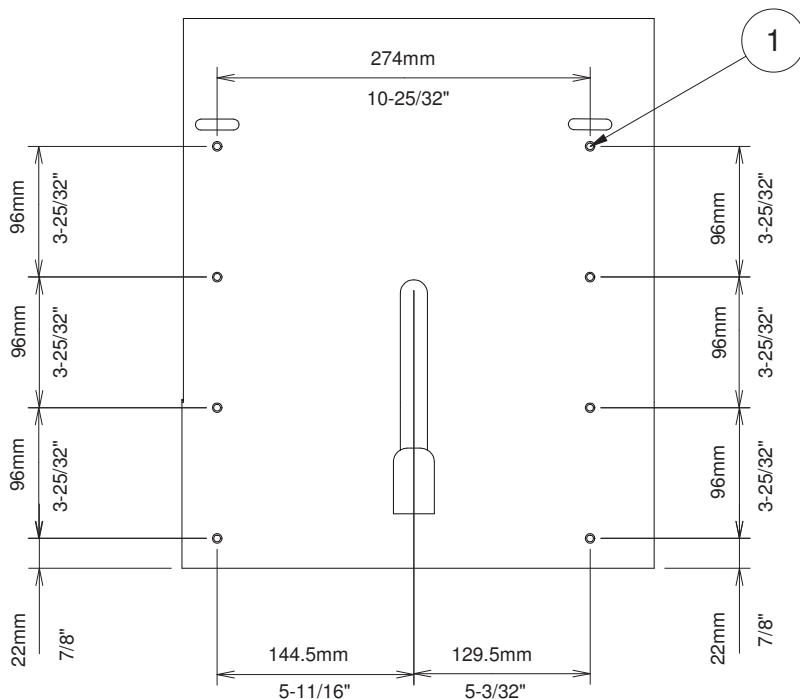
(x1)



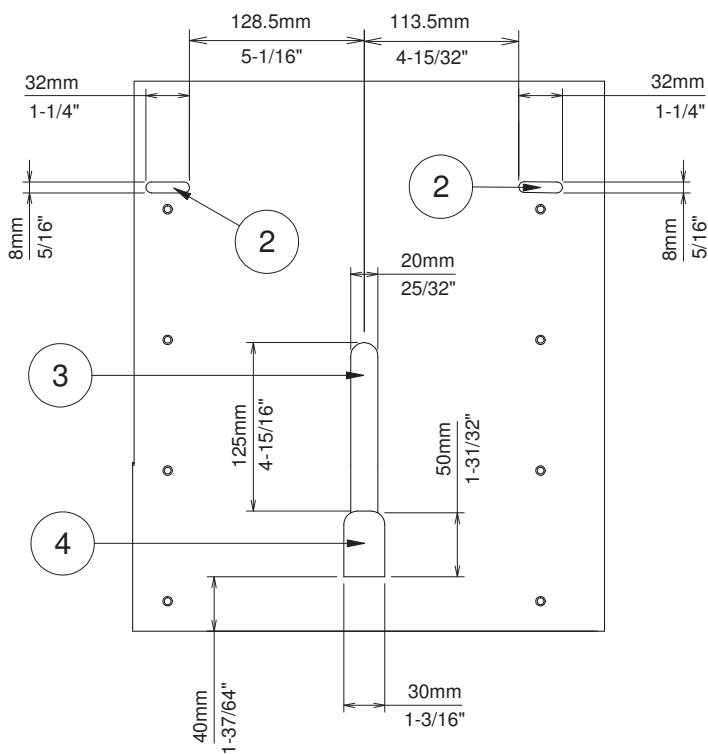
(x2)



(x2)



1. Drilled holes for wood screws



2. Depth 13 mm, 1/2"

3. Depth 3 mm, 1/8"

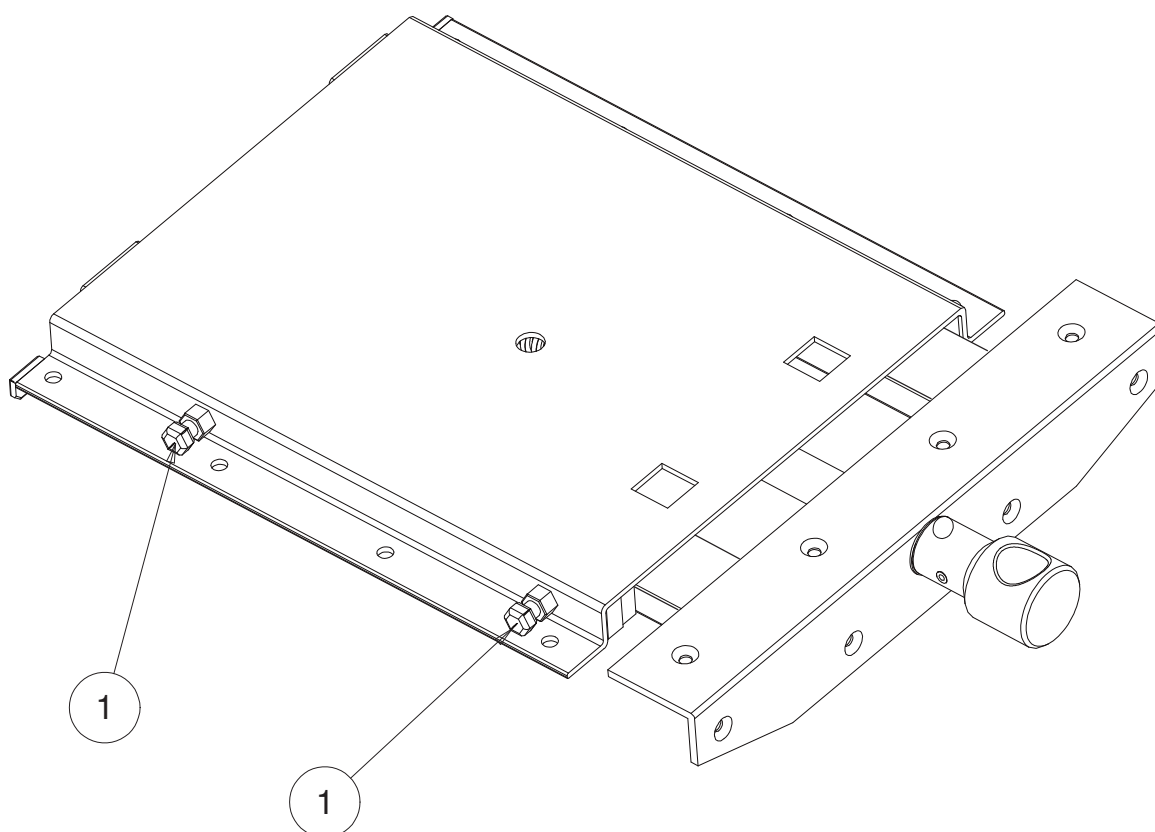
4. Depth 8 mm, 5/16"



SJÖBERGS WORKBENCHES AB
SE- 576 95 Stockaryd • Sweden
Tel +46 (0)382-257 00
office@sjobergs.se • sjobergs.se



Utfärdare: PIBL	Art.nr: 701492	Datum: 2014-01-27	Dokumentnamn: MB. 125	Utgåva: 01	Sida: 2-2
--------------------	-------------------	----------------------	--------------------------	---------------	--------------



1. When the vise is stiff, loosen the adjustable screws.
When the vise is loose, tighten the adjustable screws.